

Precision point of use regulator HP 411

- used for individual solutions with inlet from the back



Description:

The HP 411 is a single stage precision pressure regulator with metal diaphragm construction. It is used as a second stage in a central gas supply system for high purity gases.

The pressure regulator will be supplied with a gauge for indicating working pressure as standard.

Application area:

The precision point of use regulator HP 411 is characterized by its very good control performance with pressures lower than 1 bar.

The pressure regulator can be combined with our shut-off valve HP 502 and our metering valve HP 503. This pressure regulator is used in gas supply stations HP 400; HP 401 and HP 402.

Especially for gases with high requirements on purity to 6.0. Our special cleaning system for the HP Series also guarantees the use for ECD applications.

The precision point of use regulator HP 411 is used particularly in the following areas:

- Gas analysis
- Gas chromatography
- Process engineering
- Metallurgy
- Laboratory applications

Technical details:

Housing:	aluminium / st. steel
Valve seat:	stainless steel
Gaskets:	viton / NBR
Diaphragm:	viton / NBR / stainless steel
max. Inlet pressure:	12 bar
Regulating area:	50 mbar to 7 bar
Operating temp.:	-20 to +70°C
Size:	50 x 103 x 122
Weight:	350g
Connections:	inlet G 3/8" f outlet NPT 1/8" f

Hornung Quality standard

The company Hornung is certified to

DIN EN ISO 9001 and ISO 14001:2009.

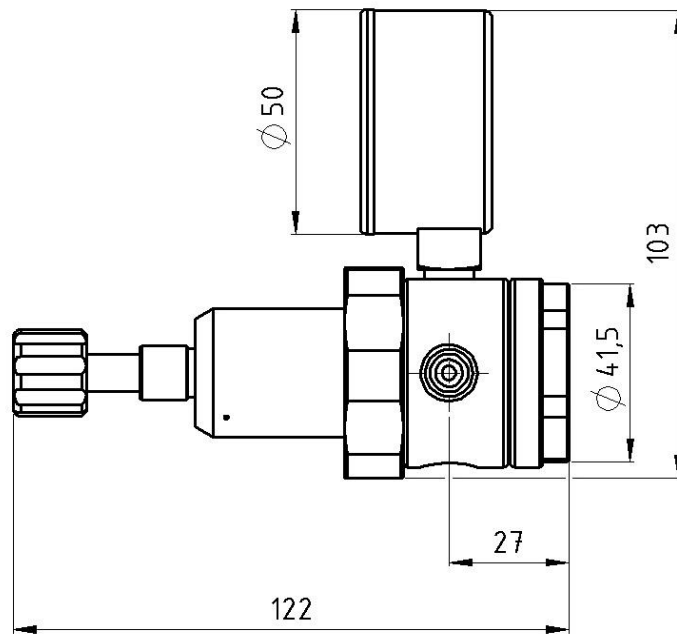
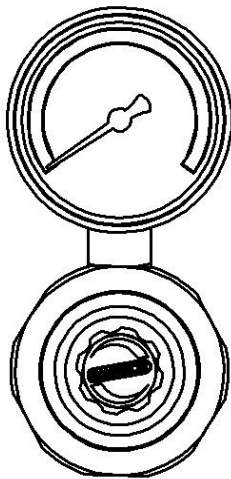
All single parts are manufactured, assembled and tested by in-house production.

The finished parts are therefore under all criteria of German quality control with 100% final inspection.

Hornung GmbH
Rathenaustraße 55, 63263 Neu-Isenburg

Phone: +49 6102 7883-70
Fax: +49 6102 7883-40

www.hornung.org
info@hornung.org



Accessories:

See total catalogue segment

- 5. Diaphragm shut-off and metering valves
- 7. Accessories

Ordering information:

Material:

- HP401** = stainless steel
- HP401MS** = brass, nickel and matt chrome plated

Outlet pressure ranges:

- 01** = 170 mbar
- 02** = 350 mbar
- 03** = 500 mbar
- 04** = 700 mbar
- 05** = 2.1 bar
- 06** = 4.1 bar
- 07** = 7.0 bar

Options for the outlet:

- 00** = G $\frac{1}{4}$ " – internal thread
- 01** = compression fitting 6 mm

HP401-	02	01	Gas
Type	Pressure	Option	Gas type